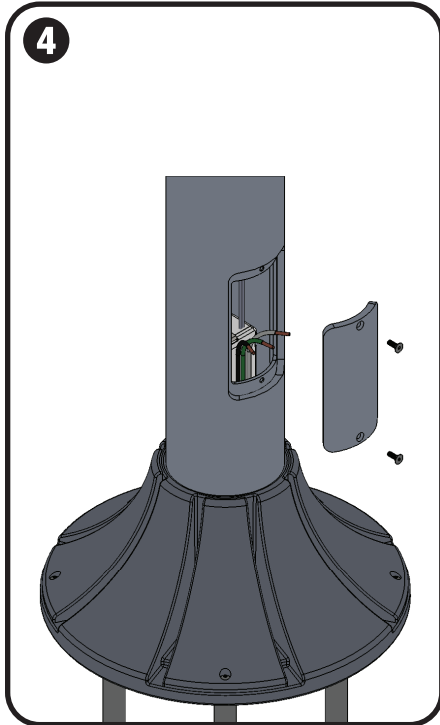


APTOS™ PEDESTRIAN

SURFACE MOUNT INSTALLATION & WIRING INSTRUCTIONS

STEP BY STEP FOR ALL APTOS PEDESTRIAN LIGHTING

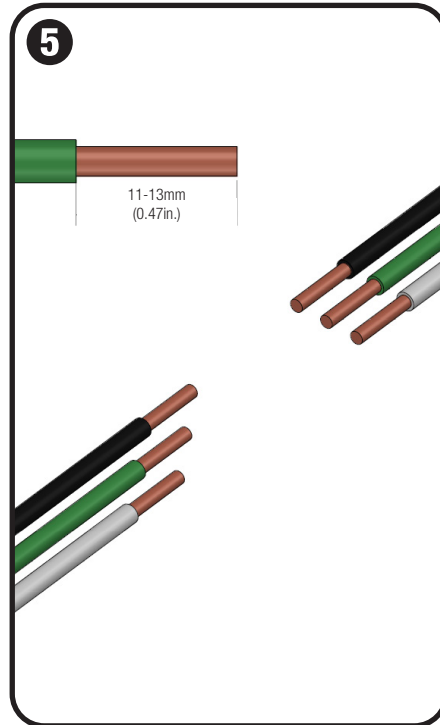


Locate wires

Note: Installation should be performed only by qualified individuals.

- Before proceeding with wiring of fixture, check to ensure that all applicable site wiring and safety codes have been followed.
- Remove two bolts on access door at base of light pole with 1/8" security hex bit, and remove access door.
- Locate wires at base of light fixture. Ensure power supply is shut off and circuit being used is isolated.

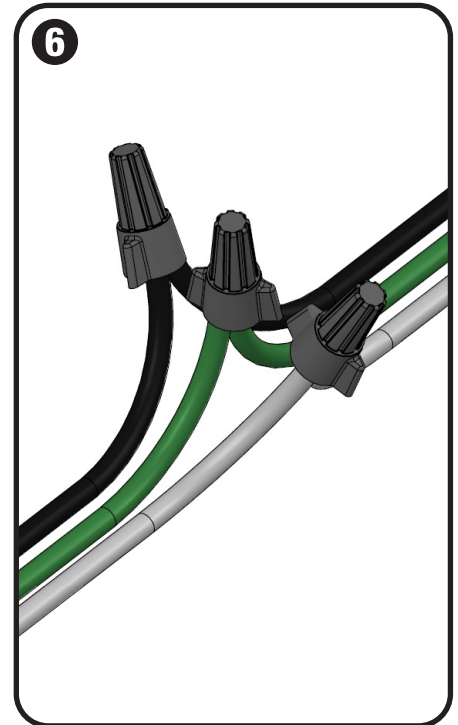
Caution: Installation of a surge protector as part of each unit's wiring is recommended.



Prepare wires

- Prepare wiring from site junction box and bollard by stripping and removing 11-13mm (.47") of insulation.

Note: Wire used should be 22-14 AWG copper conductors.



Connect wires

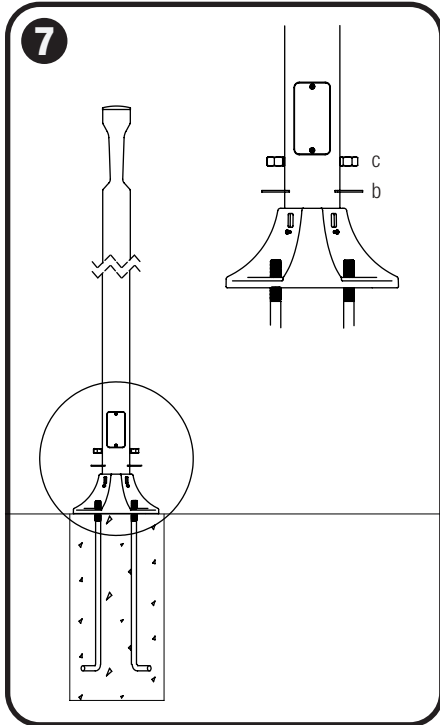
- Insert ground (green), neutral (white), and positive (black) wires into wire nuts, being sure to match wire color codes from junction box to fixture.
- Tighten wire nuts until exposed wire ends are below bottom of wire nut.
- Inspect all wiring and connections before turning power supply on.

Caution: Light fixture rated for 120-277 VAC power.

APTOS™ PEDESTRIAN

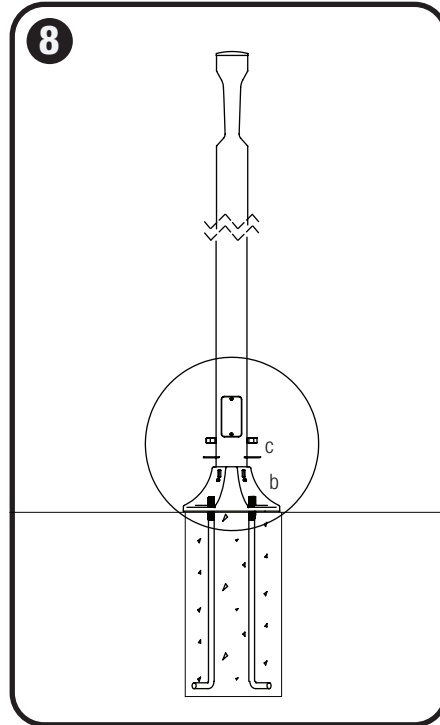
SURFACE MOUNT INSTALLATION & WIRING INSTRUCTIONS

STEP BY STEP FOR ALL APTOS PEDESTRIAN LIGHTING



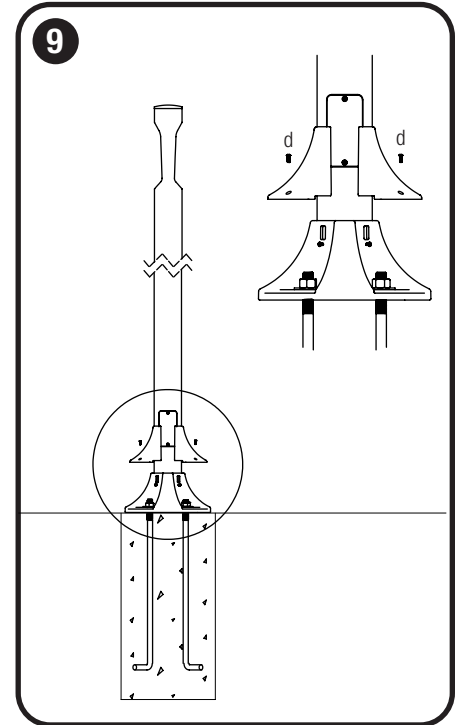
Position & attach pole

- Slide base plate over J-bolt anchors and lower pole to concrete level. Keep pole supported until attached and tightened.



Attach and tighten washers and nuts

- Slide 3/4" washer (b), then thread 3/4"-10 nut (c) onto each J-bolt anchor.
- Use 1-1/8" socket and socket wrench to tighten all nuts until snug.



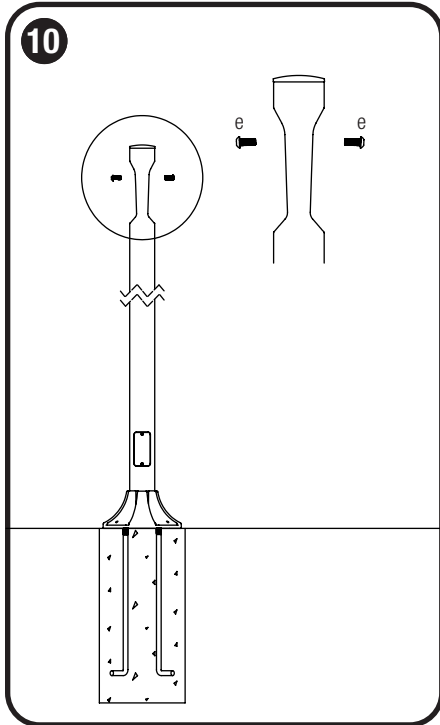
Attach base covers

- Place the four base plate covers in position and thread 8-32 x 1/2" button head cap bolt (d) into each end hole and tighten with 5/32" security hex bit.

APTOS™ PEDESTRIAN

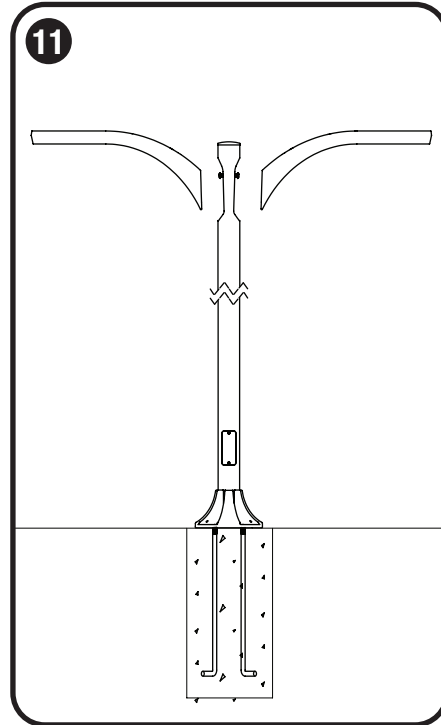
SURFACE MOUNT INSTALLATION & WIRING INSTRUCTIONS

STEP BY STEP FOR ALL APTOS PEDESTRIAN LIGHTING



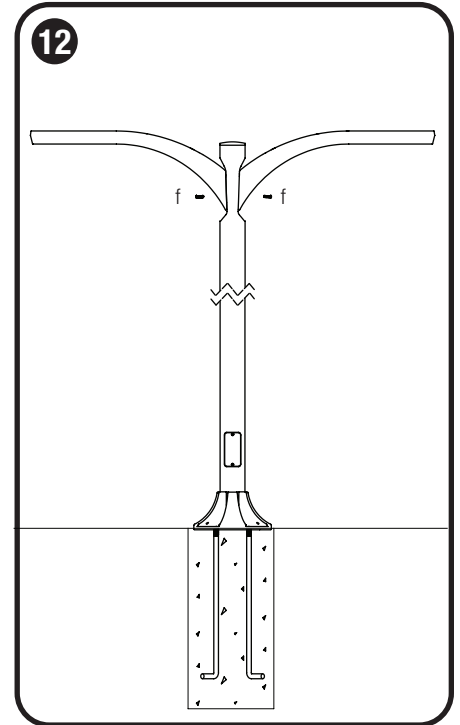
Install luminaire mounting bolt[s]

- Apply LOCTITE® 243™ thread locker or similar on fastener threads of 1/2"-20 x 1-1/4" mounting bolt[s] (e) and thread into pole to use as alignment for luminaire using 5/16" hex bit. Leave at least 5/8" of threads exposed in order for luminaire to slide over bolt.



Hang luminaire[s]

- Place the power cable and connector coming from the body through the middle hole in the luminaire mounting plate so that the cable and connector are clear of the mounting surfaces.
- Hang luminaire[s] on the 1/2"-20 bolts and align lower bolt holes.



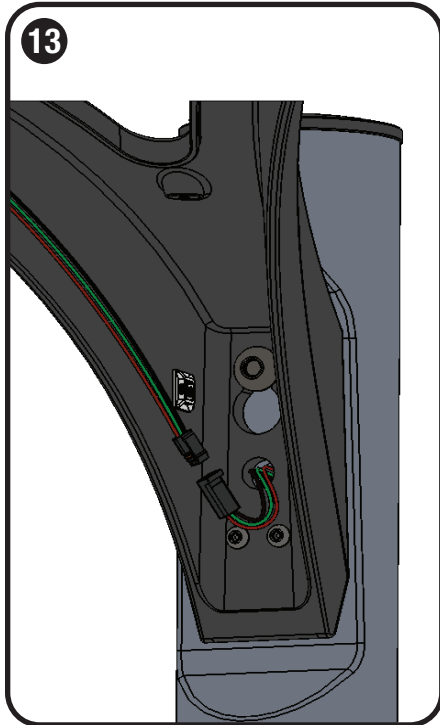
Secure luminaire[s]

- Apply LOCTITE® 243™ thread locker or similar on fastener threads of 2x 1/4"-20 x 1-1/8" bolts (f) and tighten to secure luminaire[s] using 5/32" hex bit.
- Tighten 1/2"-20 x 1-1/4" bolts (e).

APTOS™ PEDESTRIAN

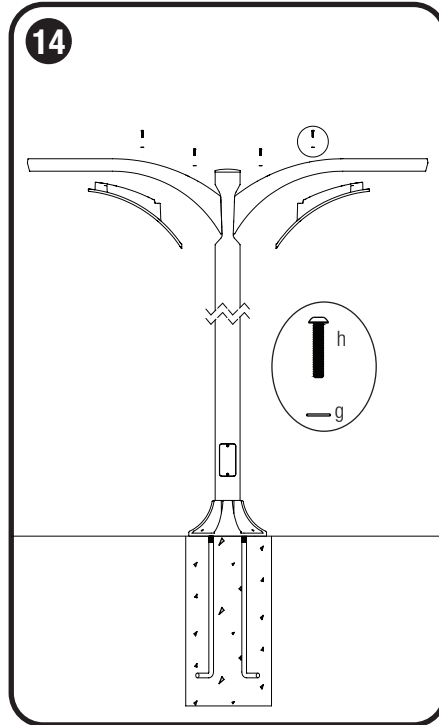
SURFACE MOUNT INSTALLATION & WIRING INSTRUCTIONS

STEP BY STEP FOR ALL APTOS PEDESTRIAN LIGHTING



Connect power to luminaire[s]

- Locate the wire and connectors coming from inside the pole and the luminaire.
- Snap connector together so that the wire colors are aligned correctly.
- Confirm that connectors are securely connected and placed out of the way for the lower cover to be attached.



Attach luminaire lower cover[s]

- Raise lower cover[s] into position.
- Place #10 Delrin Washers (g) over 10 - 24 x 1" bolts (h) and apply LOCTITE® 243™ thread locker or similar on fastener threads. Insert into luminaire and tighten using 1/8" hex bit to secure lower cover.